

Valve accessory

Threaded port body

Type series: DD-12



- For cavity DD
- All external parts with zinc-nickel plating according to DIN EN ISO 19598
- Line mounting and manifold mounting possible

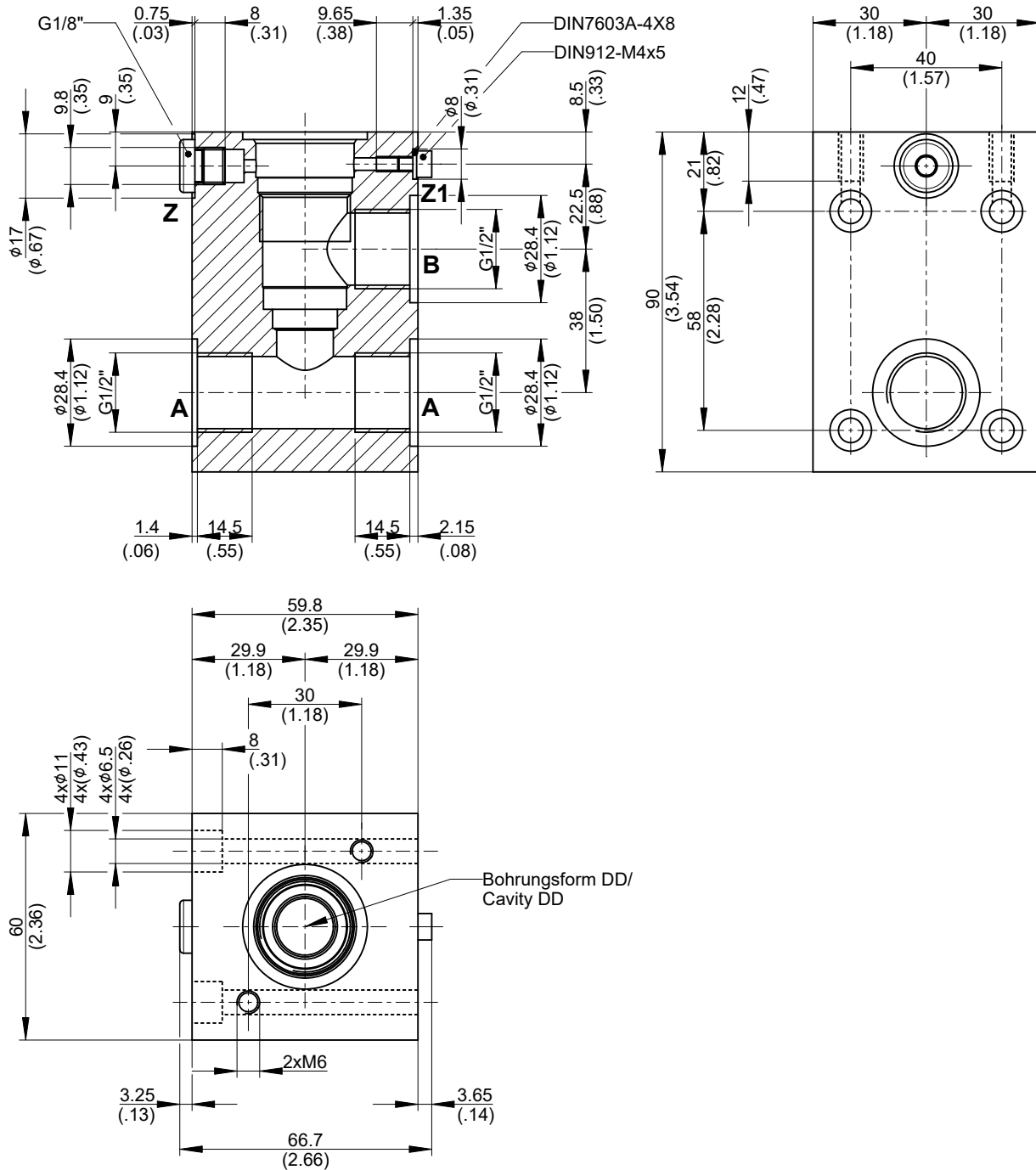
Technical data

General characteristics	Description, value, unit
Function group	Valve accessory
Function	Threaded port body
Maximum operating pressure	5000 psi
Weight	4,41 lb
Cavity acc. factory standard	For cavity DD
Surface protection	All external parts with zinc-nickel plating according to DIN EN ISO 19598

Dimensions and sectional view

Beispiel für die Masseinheit:
Exampel for the dimensional units:

0.79 = 0.79 mm millimeter
(.031) = 0.031" inch

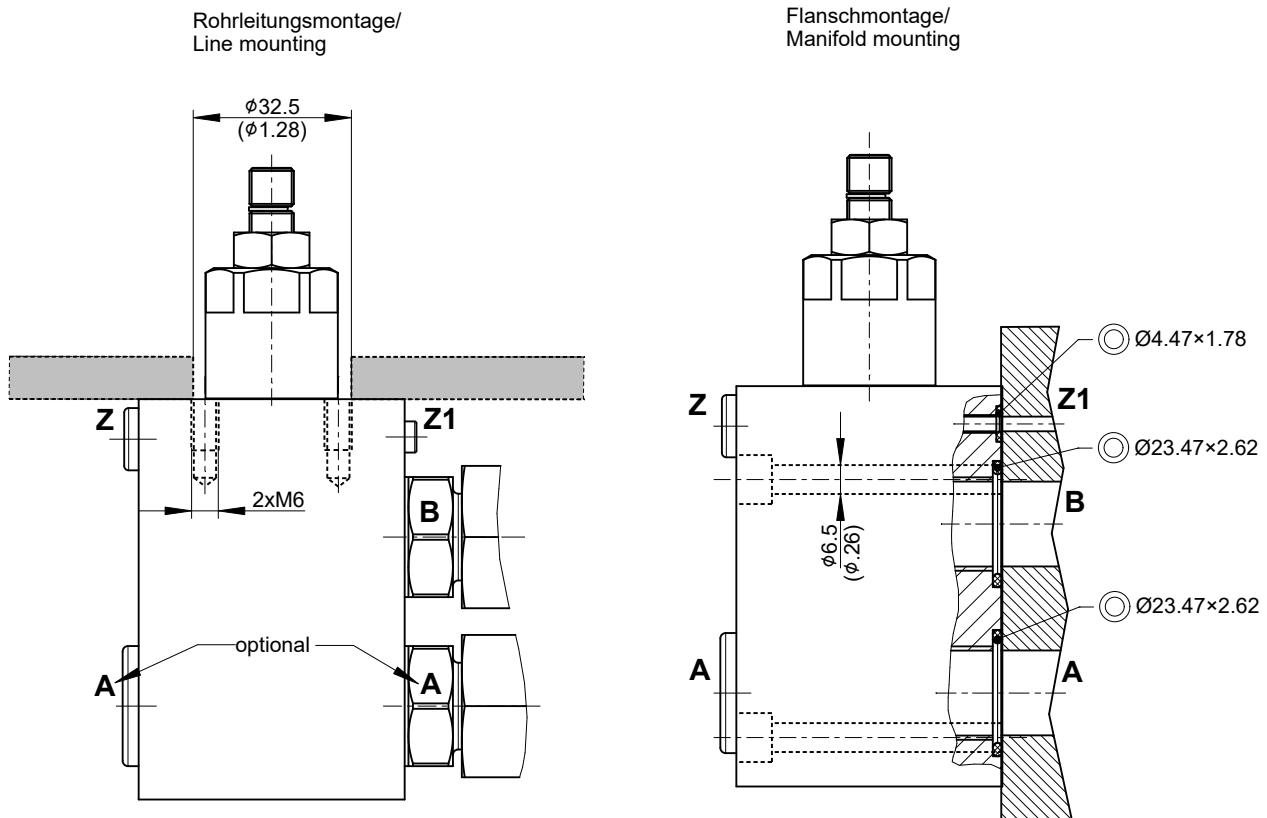


Mounting options

For manifold mounting, the maximum operating pressure is 250 bar. Use M6 cap screws, grade 12.9, to mount the valve. Plug port Z (G 1/8") and the unused

port A (G 1/2") with threaded plugs. Remove the M4 screw from port Z1 and insert an O-ring $\text{Ø}4.47 \times 1.78$. For higher pressures, contact BUCHER.

Beispiel für die Masseinheit:
Exampel for the dimensional units:
0.79 = 0.79 mm millimeter
(.031) = 0.031" inch



Related data sheets

Reference	Description
400-P-060121	Cavity DD

info.ch@bucherhydraulics.com

www.bucherhydraulics.com

© 2024 by Bucher Hydraulics AG Frutigen, 3714 Frutigen, Switzerland

All rights reserved.

Data is provided for the purpose of product description only, and must not be construed as warranted characteristics in the legal sense. The information does not relieve users from the duty of conducting their own evaluations and tests. Because the products are subject to continual improvement, we reserve the right to amend the product specifications contained in this catalogue.